

ASHLAR VILLAGE

GLASGOW

A COLLECTION OF 1 & 2
BEDROOM APARTMENTS AND
3 & 4 BEDROOM HOMES

Bellway



A reputation built
on solid foundations

BELLWAY HAS BUILT EXCEPTIONAL
HOMES IN DESIRABLE LOCATIONS
FOR MORE THAN 75 YEARS.

"We would definitely recommend
buying with Bellway, the staff have been
amazingly helpful, and we really couldn't
be happier with our new home."

ABIGAIL AND JAMIE,
INGLEBY MANOR

Over 75
YEARS of QUALITY
SINCE 1946

Over the last 75 years, Bellway has earned a strong reputation for high standards of design, build quality and customer service. From the location of the site, to the design of the home and the materials selected, we ensure that our impeccable attention to detail is at the forefront of our build process.

We create developments that foster strong communities and seamlessly integrate with the local area. Each year, Bellway commits to supporting education initiatives, providing improvements to local road networks, and preserving and creating open spaces for everyone to enjoy.

Our high standards are reflected in our dedication to customer service and we believe that the process of buying and owning a Bellway home is a pleasurable and straightforward one. Having the knowledge, support and advice from a committed Bellway team member will ensure your home-buying experience is seamless and rewarding, every step of the way.

Bellway abides by The Consumer Code, which is an independent industry code developed to make the home buying process fairer and more transparent for purchasers.



Find us on social media





A number of quality checks are carried out on each of our new homes through the construction process and on completion. Once your home has passed all of our quality checks, you will be invited to attend your Home Demonstration which will provide an opportunity for you to understand the various elements of your new home. On move in day, our site and sales teams will be there to ensure that everything goes as smoothly as possible.

Once you've settled into your new home, Bellway has experienced after-sales teams to ensure that support and assistance is there whenever you need it. We are dedicated to minimising inconvenience and resolving outstanding issues at the earliest opportunity.

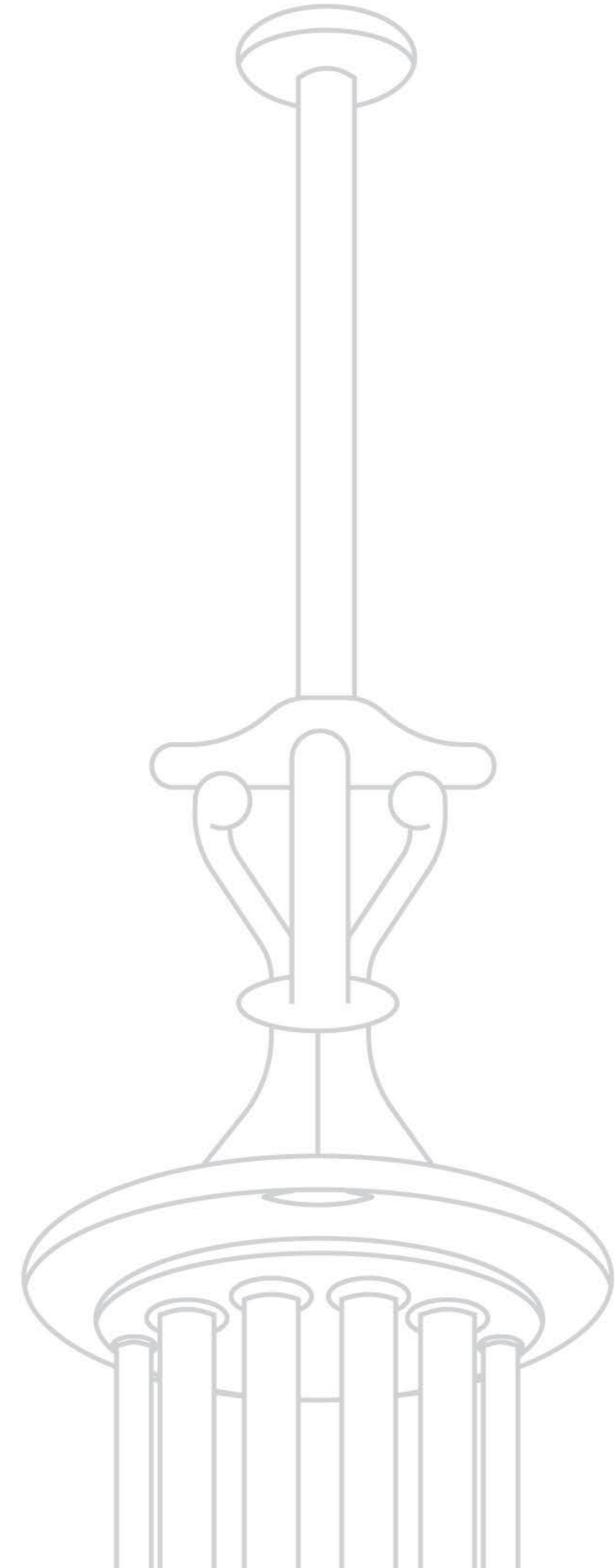
We have a 24-hour emergency helpline and provide a comprehensive information pack that details the working aspects of your new home.

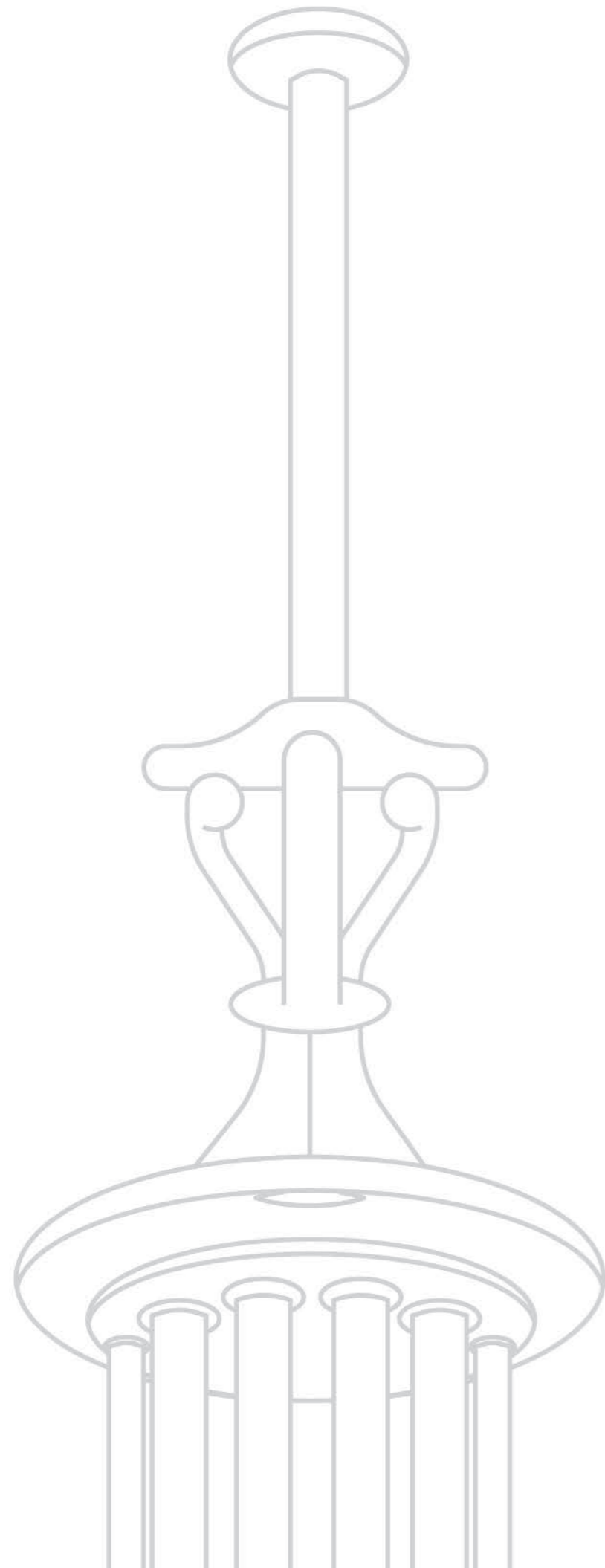
Our customers have peace of mind knowing they have a 2-year-warranty from Bellway with further insurance protection from the National House Building Council for the first 10 years from initial completion.

We are confident that our approach to building and selling quality homes, coupled with our Customer Care processes, will provide you with many years of enjoyment in your new home.

Homes to love, built with care

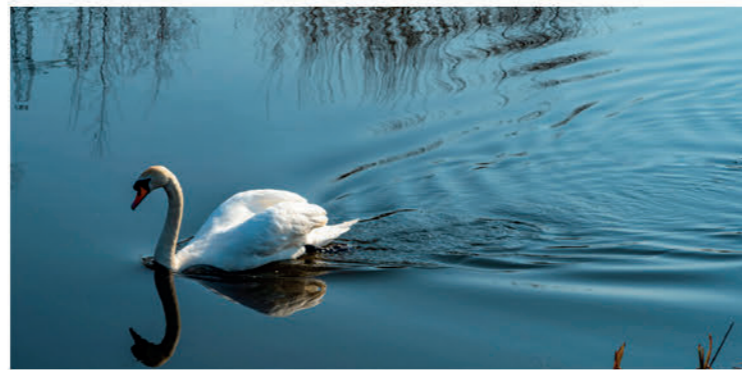
FROM THE FIRST DAY YOU VISIT ONE OF OUR SALES CENTRES TO THE DAY YOU MOVE IN, WE AIM TO PROVIDE A LEVEL OF SERVICE AND AFTER-SALES CARE THAT IS SECOND TO NONE.





An ideal location,
an iconic feature

Ashlar Village is a development of 1, 2, 3, and 4 bedroom homes with a garage or parking space to every home. Located in Ruchill on the outskirts of Glasgow city centre, featuring 1 and 2-bedroom apartments alongside 3 and 4-bedroom houses, the development's close proximity to key amenities makes it an ideal location for a wide variety of homebuyers. Journeys to Central Glasgow and Glasgow Airport take 12 and 24 minutes by car respectively.



The best of Glasgow is on your doorstep.

Ashlar Village is situated in Ruchill within the district of Glasgow city. Less than four miles from Glasgow's city centre, our development is ideally placed for leisure and commuters.

Locally, Ruchill features several points of interest, including Ruchill Community Golf Facility. Ruchill Park is adjacent to Ashlar Village, offering panoramic views of Glasgow.

The area's close proximity to Glasgow means that some of Scotland's most popular leisure hotspots are readily available. The city's West End is just two miles from Ashlar Village and is a popular spot for dining out. Central Glasgow is home to Glasgow Science Centre, the Gallery of Modern Art, and The Scottish Football Museum.

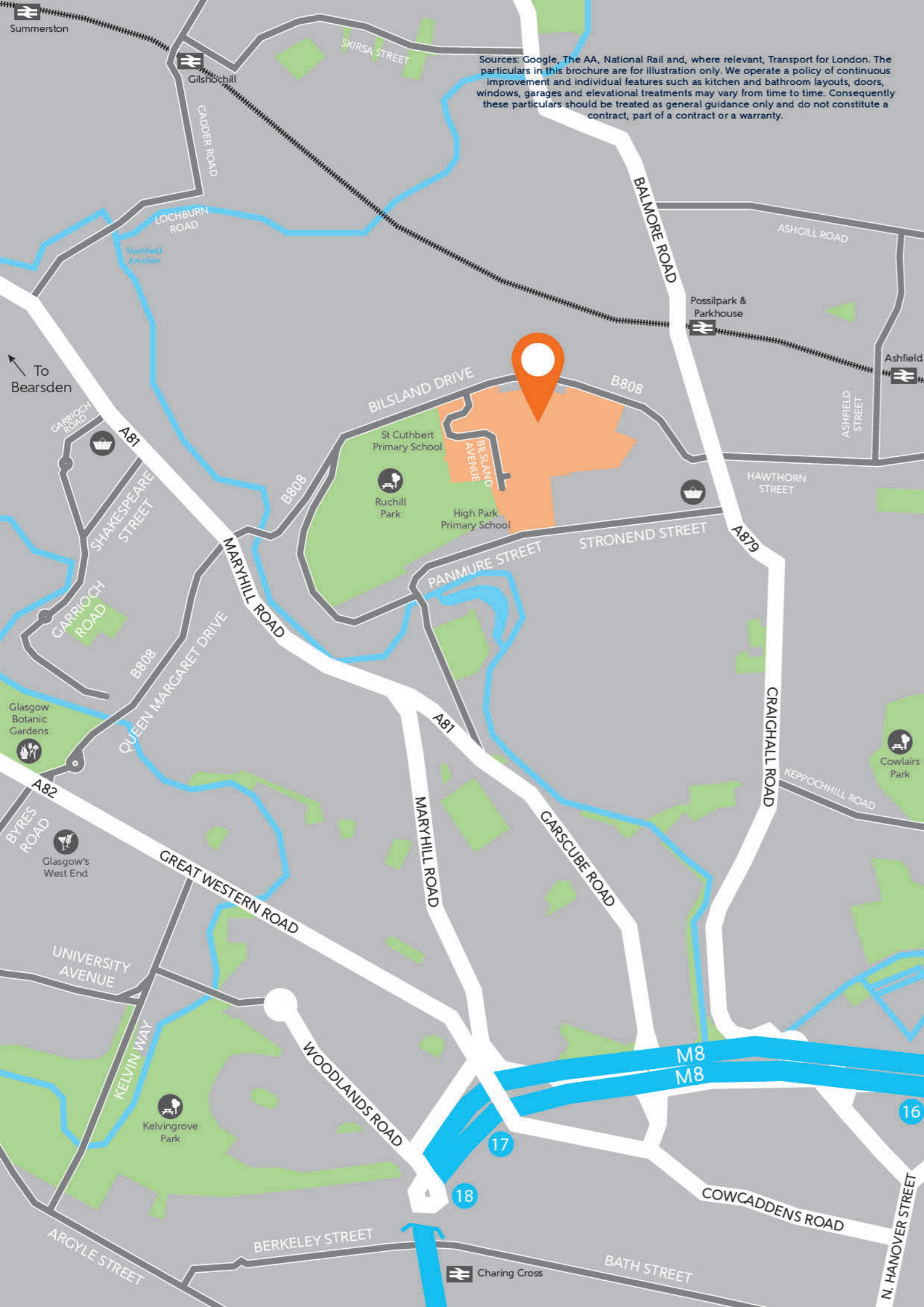
In Ruchill, independent shops and familiar names are available to provide essential retail. For more expansive shopping, central Glasgow is just a short drive away. The city's main shopping areas, including Buchanan Street and Argyle Street, cover everything from high street favourites to specialist jewellery and fashion outlets.

Several well-loved restaurants are found close to the development, while Central Glasgow has everything that a city of its size should offer. Familiar chains, outstanding independent restaurants and one-off culinary experiences are all available just a short drive from Ashlar Village.

Local schools in Ruchill are complemented by the well-regarded establishments found throughout central Glasgow and the city's outskirts. World-famous universities, including both Glasgow University and Strathclyde University, exceptional colleges and well-known schools all ensure that students in the city are well provided for.

The closest schools to the development are Highpark Primary School and St Cuthbert's Primary School, which are immediate neighbours to Ashlar Village.



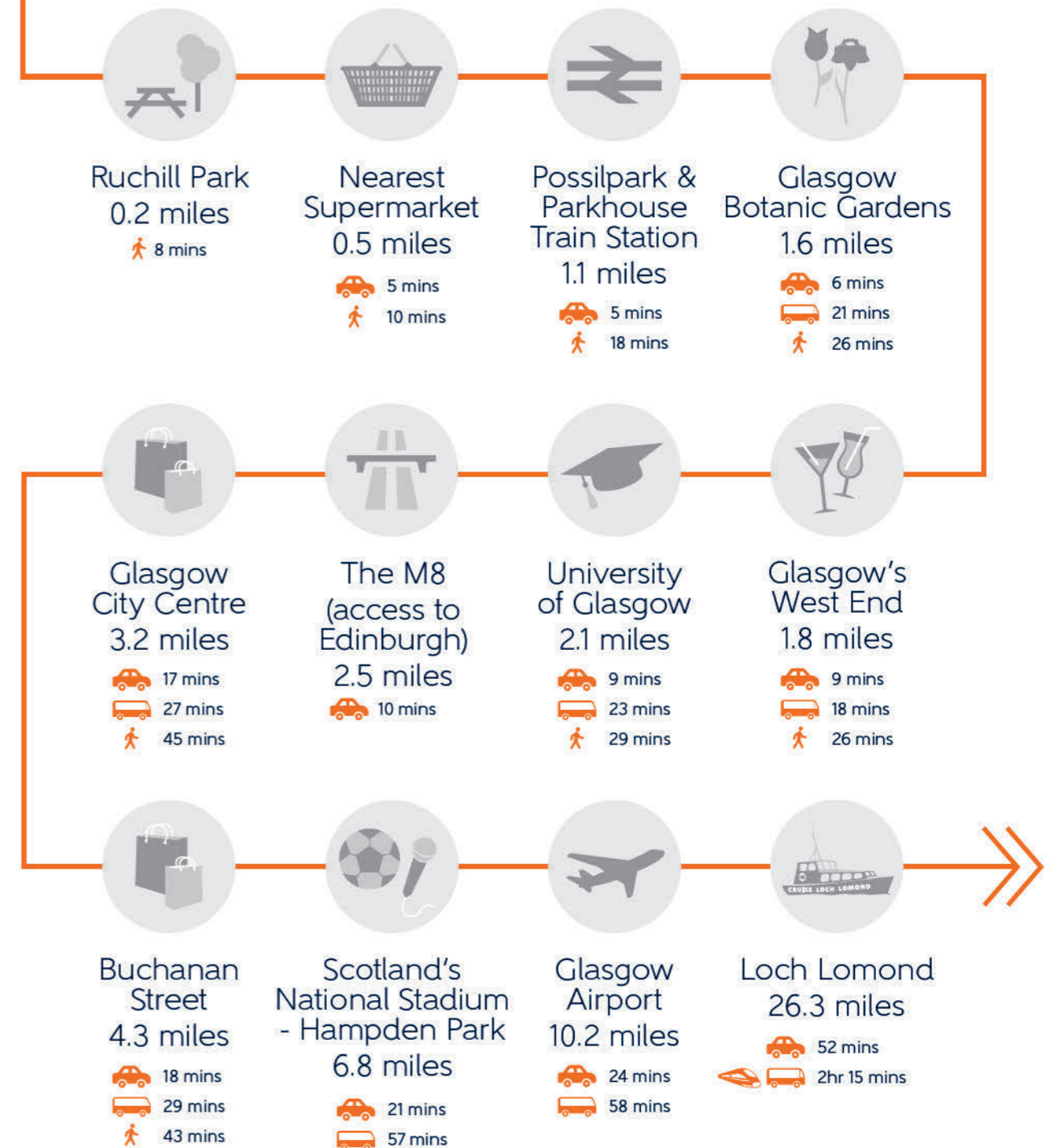


Connections and convenience

Ashlar Village is a 12 minute drive from central Glasgow, with the A81 leading directly to popular areas of Scotland's most populous city. Nearby, the M8 connects the development with the motorway network and Glasgow airport where both international and domestic flights are scheduled daily.

Train links are also available with Possilpark & Parkhouse train station just a mile from Ashlar Village.

This station offers regular routes into Glasgow, affording connections to other major UK destinations.





The excitement of the West End awaits

At just 2 miles from Ashlar Village, Glasgow's West End showcases the distinctive characters of Glasgow's neighbourhoods. You'll find amazing historic attractions tucked in between leafy surroundings, award-winning food and drink and the famous Glaswegian friendliness. There is no doubt that this fantastic area has it all, situated a stone's throw from your doorstep.

Byres Road, often referred to as the main artery of the West End, is the perfect place to explore. Shop for bargain finds along these bustling streets in the vintage and independent shops dotted around the area. Enjoy a bite to eat in one of the many eateries along Ashton Lane, a cobbled street crammed with bars, restaurants and a charming outdoor atmosphere.

Despite being steeped in history, the West End is a testament to change offering new and exciting venues and attractions at every turn. There's no better example of this than Finnieston, one of Glasgow's trendiest places to visit, especially if you are looking for delicious and inspiring food and world class entertainment. Nearby, the OVO Hydro arena is one of the world's busiest live entertainment venues, hosting global stars and featuring a fantastic programme throughout the year.

Yet the West End doesn't disappoint with green space. Kelvingrove Park is a beautiful example of a Victorian Park. A relaxing stroll through the park reveals its many treasures; bowling greens, tennis courts, a skatepark and the restored Kelvingrove Bandstand, now home to the Summer Nights mini music festival.

From its friendly and hospitable people, to its stunning architecture and fascinating history, the West End of the city is a real gem to be savoured.





Affording sweeping vistas of Glasgow itself, the pinnacle of Ashlar Village celebrates the iconic Ruchill hospital water tower. Landscaped gardens circling the tower itself offer ample seating amongst lawned areas where residents can relax and enjoy the view.

Beautifully crafted, contemporary homes have been built with families in mind at Ashlar Village. The development itself features play areas, informal sports areas and landscaped pathways throughout the site creating community and greenery; designed to enhance the well-being of the residents at Ashlar Village.



Surrounded by beautifully landscaped common areas, the 1 and 2 bedroom apartments at Ashlar Village have been designed to gently complement the traditional Ruchill tower itself whilst carefully blending contemporary features to create wonderful homes.





Beautifully designed, carefully crafted

Every attention to detail has been considered at Ashlar Village. Each home has been carefully designed to maximise space and light, offering stunning interiors and quality finishes synonymous with Bellway's exacting standards.

The features presented have been crafted to enhance your home. The open plan living areas are beautifully proportioned offering the ideal space for relaxing and entertaining. The use of high quality fixtures and fittings which feature throughout all kitchens and bathrooms create an appealing contemporary feel.

Gardens to the 3 and 4 bedroom homes offer the opportunity to extend your entertaining space or chance to create a relaxing outdoor retreat, whilst the ensuite to the master in our 2 bedroom apartments ensures your bedroom will be a sanctuary to retire to at the end of the day.

The stunning mix of houses and apartments on offer present a home to suit every lifestyle. Couples, young professionals and families are all catered for at Ashlar Village.



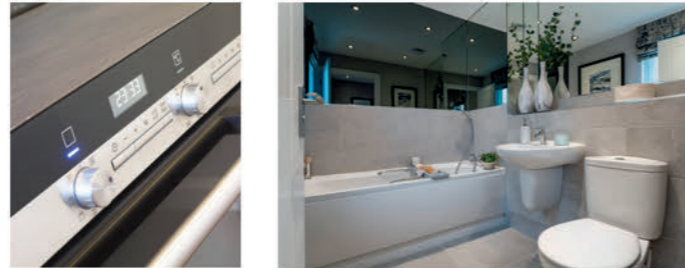
Photographs are used for illustrative purposes only and depict typical interiors from previous Bellway developments.

Dedicated to delivering quality

AN ENHANCED SPECIFICATION IS A BELLWAY HALLMARK.

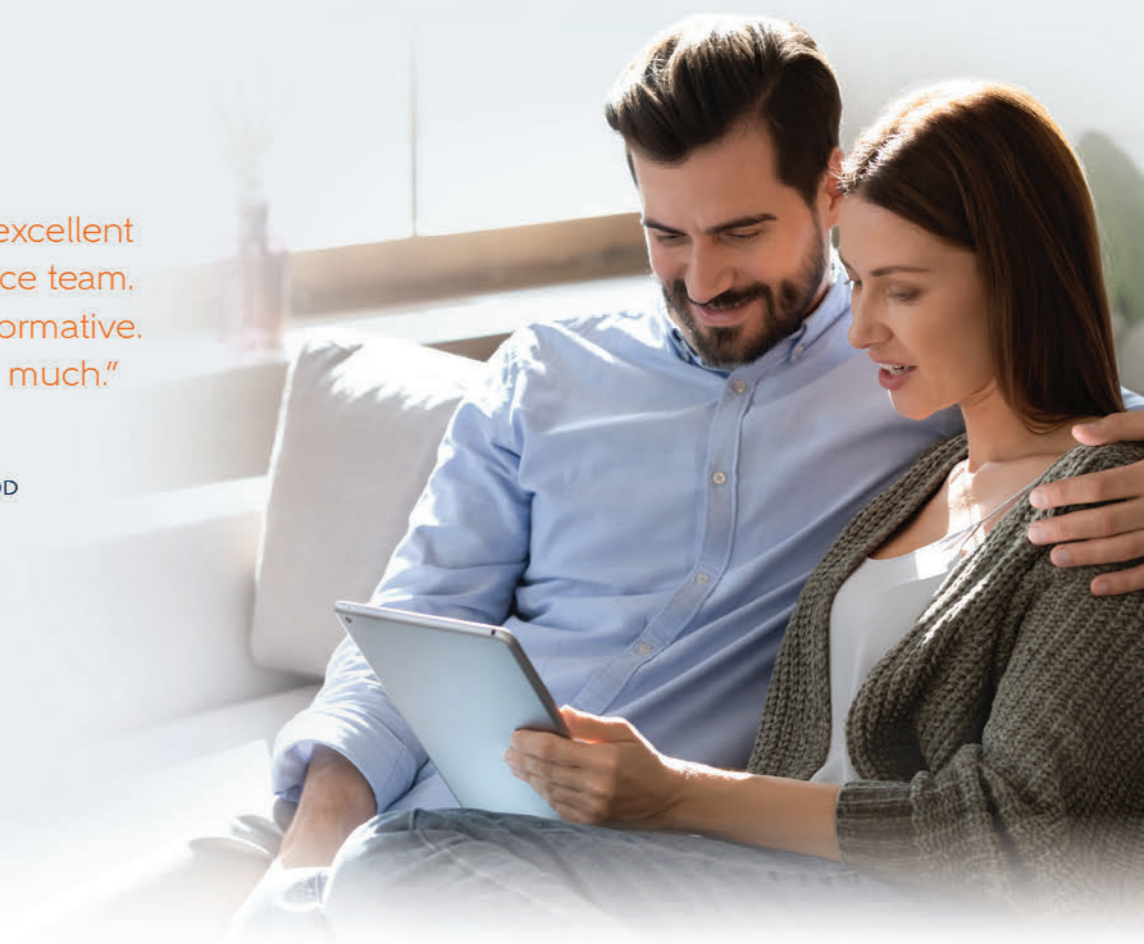
All of our homes are equipped with superior fixtures and fittings, which dovetails perfectly with our focus on design and attention to detail.

Expertly crafted using state-of-the-art materials, your brand new home is finished to a high standard so you can start enjoying it the moment you get your keys.



"You have an excellent customer service team. So kind and informative. Thank you so much."

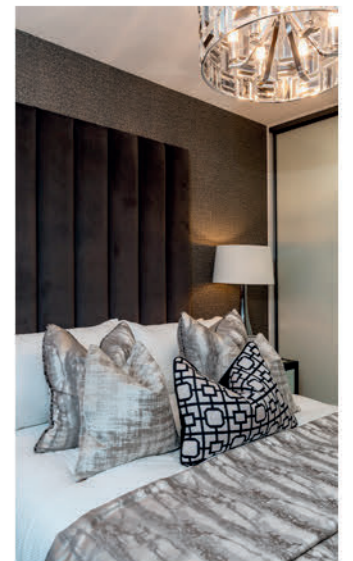
MEL,
SILVERWOOD



Make your new home as individual as you are with Additions

Every Bellway home comes with high-quality fittings as standard, but to add that personal touch you can also choose to upgrade from our range of options, subject to build stage, to make sure your new home feels distinctly different.

Most important of all, because we recognise that you want your new home to reflect your personal taste from day one, we will make sure that all your Additions choices are expertly fitted and finished, ready for you to move in.



Please note that while every effort has been taken to ensure the accuracy of the information provided within this brochure and inserts, particulars regarding local amenities and their proximity should be considered as general guidance only. Computer generated images are shown for illustrative purposes only. The identification of schools and other educational establishments is intended to demonstrate the relationship to the development only and does not represent a guarantee of eligibility or admission. Journey times are representative of journeys made by car unless stated otherwise and may vary according to travel conditions and time of day.

Sources: google, the aa, national rail and, where relevant, transport for london. The particulars in this brochure are for illustration only. We operate a policy of continuous improvement and individual features such as kitchen and bathroom layouts, doors, windows, garages and elevational treatments may vary from time to time. Consequently these particulars should be treated as general guidance only and do not constitute a contract, part of a contract or a warranty.

"It's our first step into buying our first new build and Bellway's been great at answering all our questions, guiding us on what to expect and being really patient and friendly throughout."

LEONA,
BLINDWELLS





Customer Care

From the first day you visit one of our sales centres to the day you move in, we aim to provide a level of service and after-sales care that is second to none.

Each home is quality checked by our site managers and sales advisors, after which we invite our customers to a pre-occupation visit. These personalised visits provide a valuable opportunity for homeowners to understand the various running aspects of their new home.

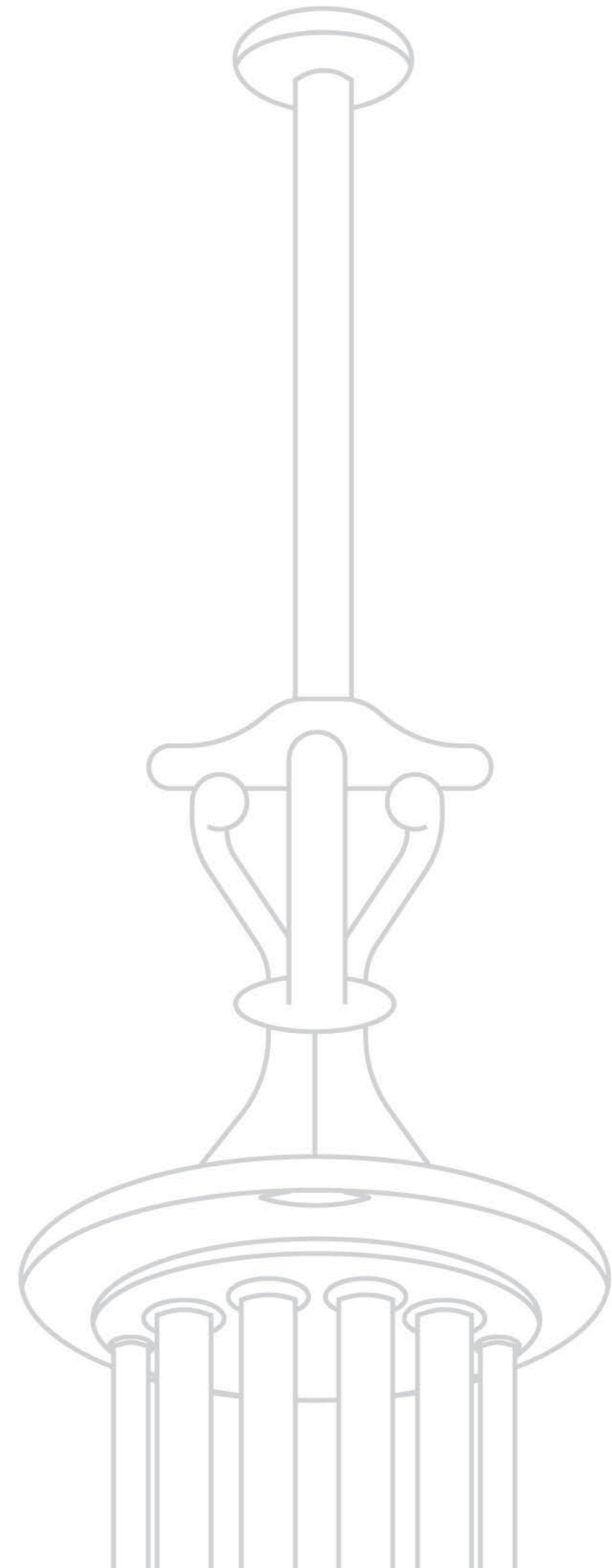
On the move-in day our site and sales personnel will be there to ensure that the move-in is achieved as smoothly as possible.

Providing high levels of customer care and building quality homes is our main priority. However, we are aware that errors do sometimes occur and where this happens it has always been our intention to minimise inconvenience and resolve any outstanding issues at the earliest opportunity.

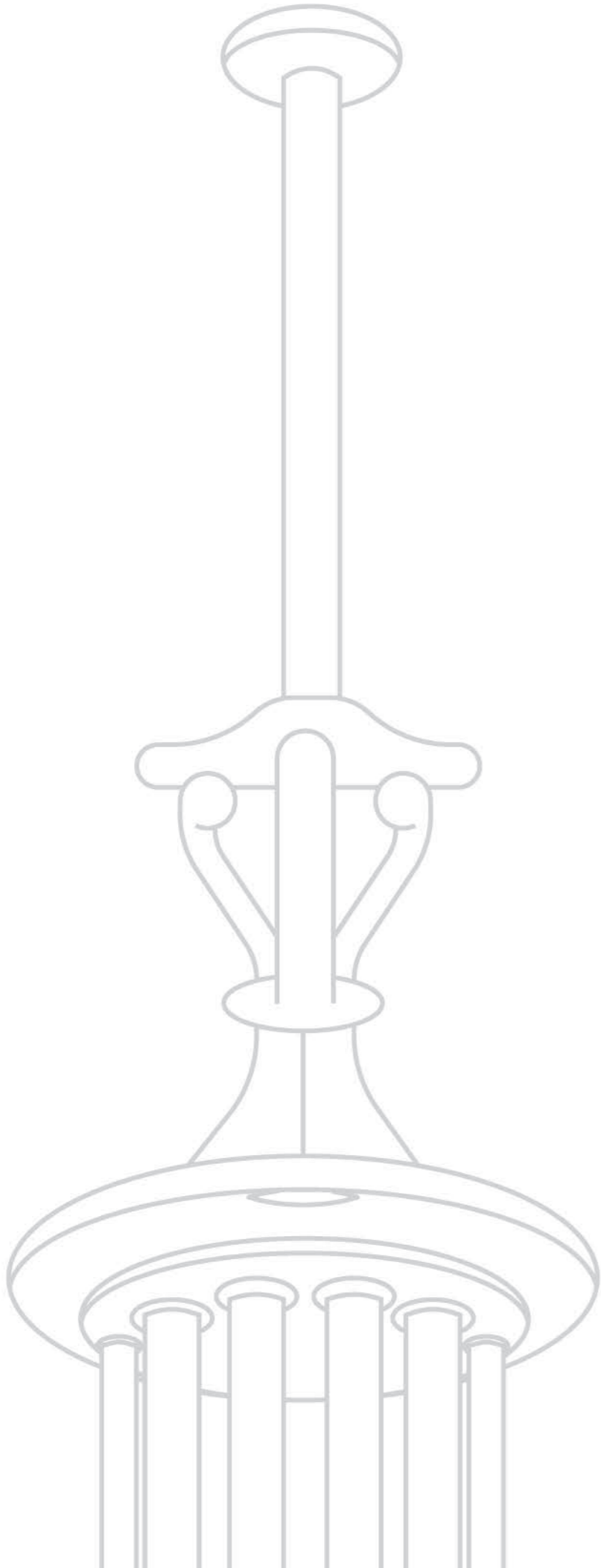
In managing this process we have after sales support that is specifically tasked to respond to all customer enquiries.

We have a 24 hour emergency helpline and provide a comprehensive information pack that details the working aspects of a new home. A 10 year NHBC warranty provides further peace of mind.

We are confident that our approach to building and selling new homes coupled with our Customer Care programme will provide you with many years of enjoyment in your new home.



Bellway



How to find us



Bellway

Bellway Homes Limited (Scotland West),
Bothwell House, Hamilton Business Park, Caird Street,
Hamilton, South Lanarkshire ML3 0QA

Telephone: 01698 477 440

www.bellway.co.uk