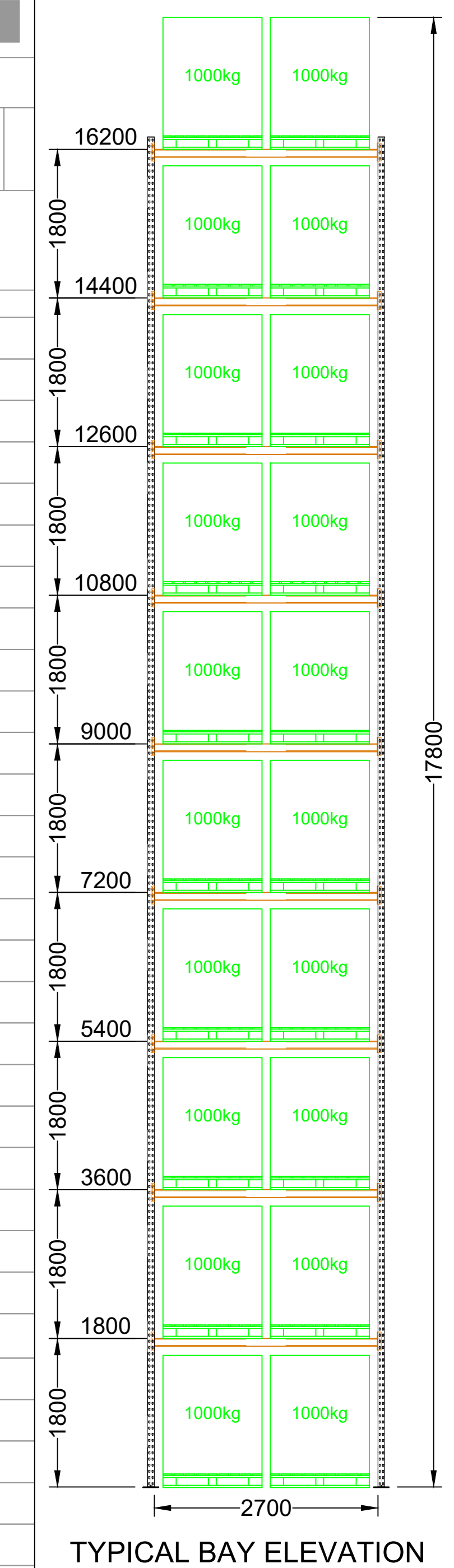
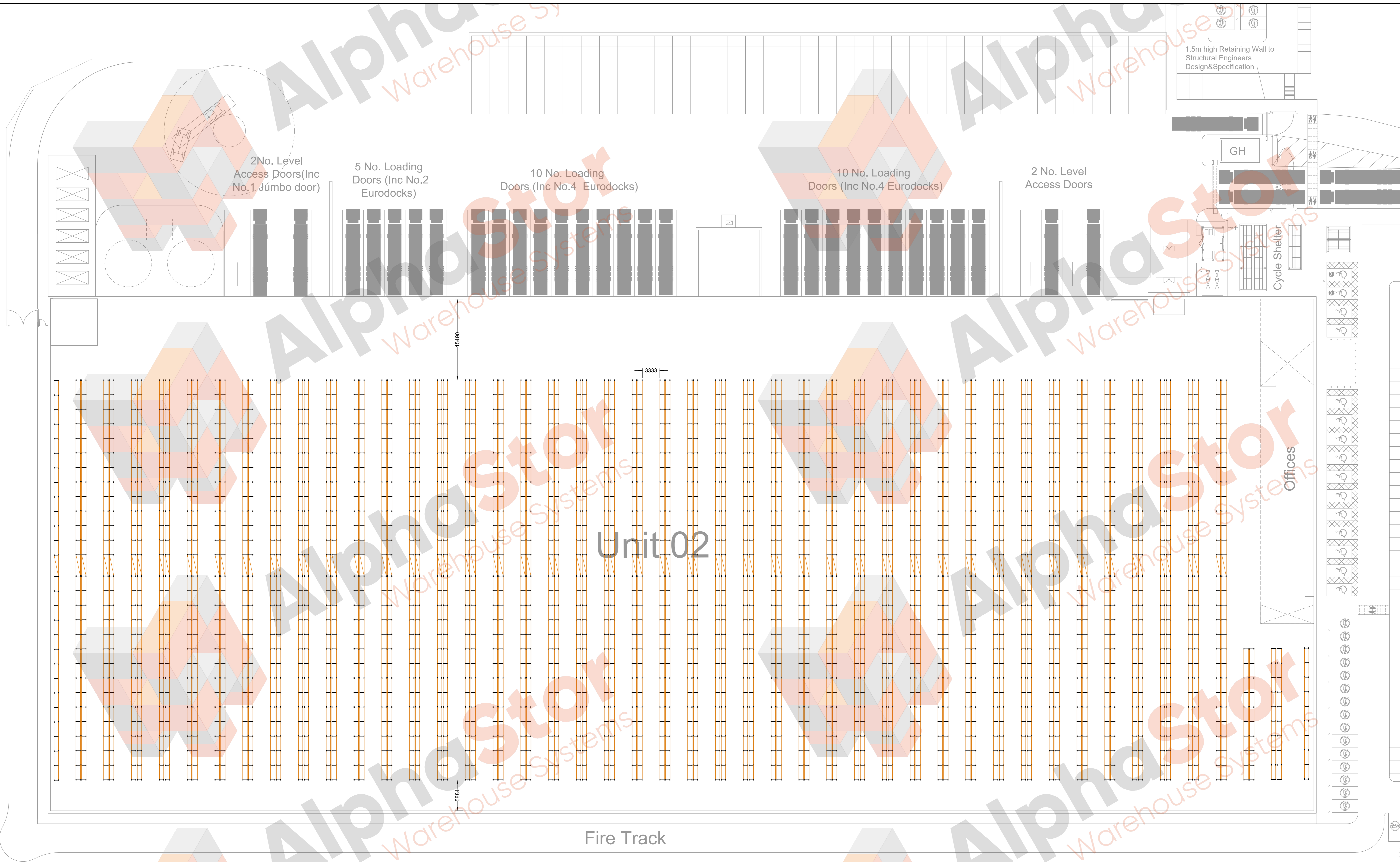


NOTES:
The information contained in this drawing is confidential and is not to be disclosed to others without the written authority of AlphaStor



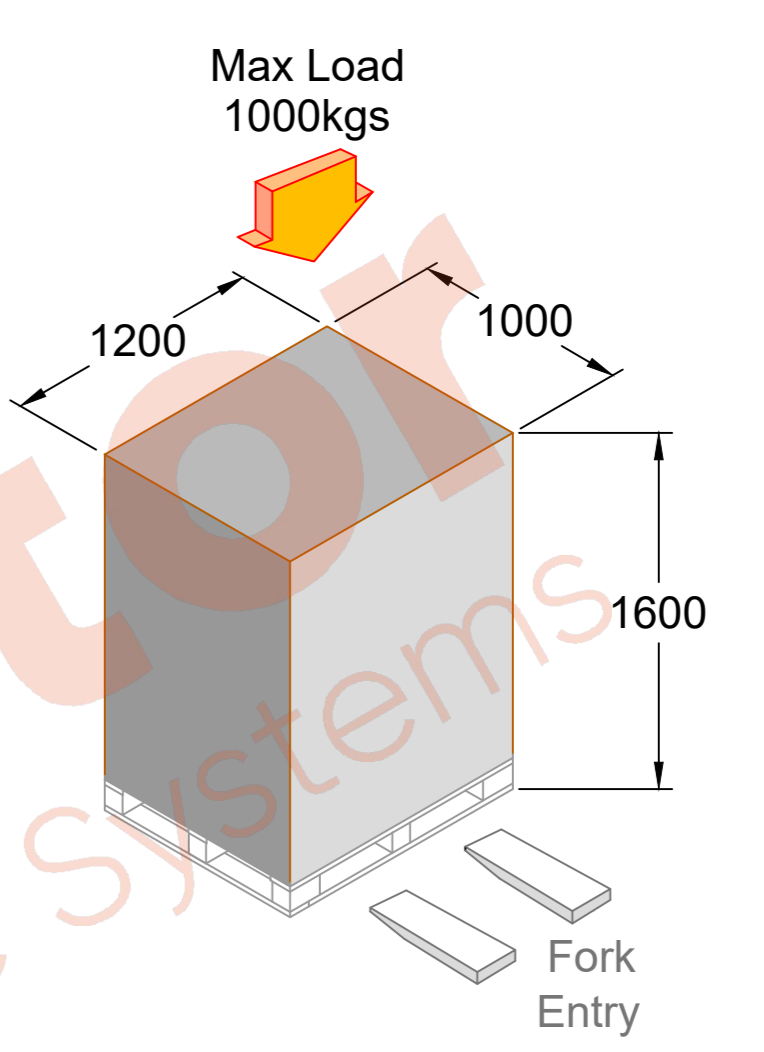
Wide Aisle Pallet Racking Layout.
Minimum Aisle 3.3m

For further information about this layout, or for alternative designs, please contact Brendan Oldfield:

t: 07798 944076
e: brendan@alphastor.co.uk



This drawing has been prepared from details supplied to us by the Customer, who should confirm that we have correctly interpreted that all requirements have been fully satisfied. The Customer must ensure that the intended mechanical handling equipment will correctly operate within this storage system. The Customer must also ensure that all other associated trades not contracted by AlphaStor, such as labelling, lighting, sprinkler systems, etc. are fully compatible with this storage system. The Customer should confirm with the relevant Local Authority any Planning, Building Regulations and Fire Regulations requirements.



PALLET COUNT - 46,885
(MINUS POSITIONS LOST TO BUILDING COLUMNS)

ISS.	BY	DATE
AlphaStor Warehouse Systems		
AlphaStor Ltd. Company Registration Number: 12818325 The Old Rectory, St Mary's Hill, Chester, CH1 2DW Tel: 01244 320300 email: hello@alphastor.co.uk		
TITLE Proposed Wide Aisle Pallet Racking Layout For Symmetry Park Merseyside, Unit 2 CBRE Manchester		
DRAWN	BCO	DATE 08/07/24
CHECKED	JS	
SCALE	NTS	
DRAWING No.	ISSUE	ORIGINAL SIZE
2407-01SD-001	00	A0